

# AquaTec "Lift-Out Aeration Racks"

For Maximum Oxygen Transfer and Easy Convenient Access

- Full 360-Degree Pivot
- Stainless Steel or Galvanized Units
- Fits Into Any Tank
- Manual or Power Winch Lift
- Fine or Coarse Bubble Diffuser Racks Available
- Easy to Install in Any Tank
- Great for Retrofit Upgrades
- Easy to Inspect & Maintain



AquaTec Lift-Out Aeration Rack



## Tubular Membrane Diffuser Features

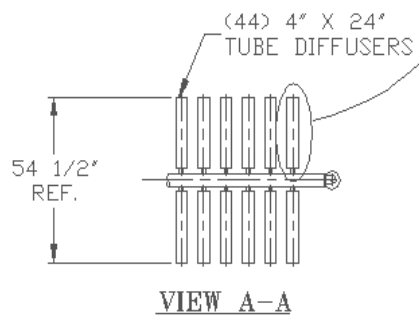
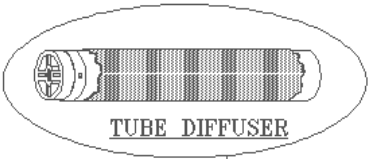
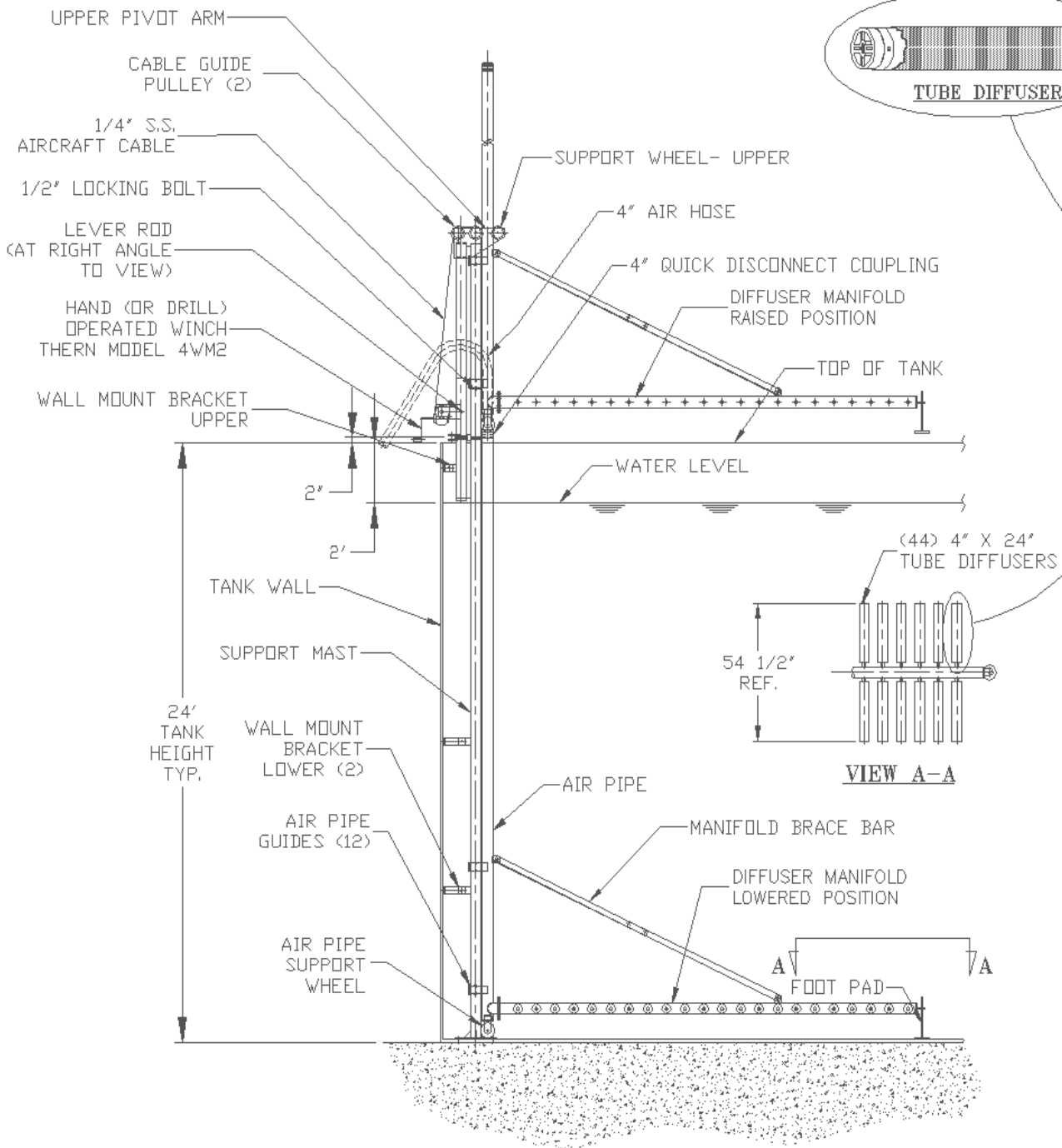
Ask about Custom Engineered Deep Tank designs and special Blowers and Controls for increased plant efficiency

Non-Buoyant Design Prevents Connection Failures  
Micro-Fine Bubbles for Highest Efficiency  
Long Life EPDM Membrane  
Large 4-inch Dia. x 24-inch long Tube Size to Maximize Air Flow and Turndown Ratio  
PVC & Stainless Steel Body & Fittings  
Wider Air Band Reduces Bubble Coalescing  
Easily Replaceable Membranes

**AquaTec, Inc.**

1235 Shappert Dr. Rockford, IL 61115 <http://www.aquatecinc.com>

Phone 815-654-1500 Fax 815-654-0038



**RAISED AND LOWERED POSITIONS SHOWN  
(with fine bubble tube diffusers)**

**NOTE:**  
PIVOT RACK CAN BE TURNED 360° FOR SERVICE IF NO OBSTRUCTIONS EXIST.

STRUCTURAL COMPONENTS AVAILABLE IN HOT DIP GALVANIZED STEEL OR 304 STAINLESS STEEL

**TITLE:**  
**AERATION LIFT OUT PIVOT RACK**

**DRAWING NUMBER:**  
**RACK PIVOT ASSY.(fine bubble)A**

THIS PRINT, THE EXCLUSIVE PROPERTY OF AQUATEC, INC. IS CONFIDENTIAL. IT IS TO BE USED FOR THE PURPOSE FOR WHICH IT HAS BEEN LOANED. IT IS NOT TO BE USED OR REPRODUCED AND IT IS TO BE RETURNED UPON REQUEST.

DESIGNED: RRH  
DRAWN: KRI  
SCALE: NONE  
DATE: 02/22/00

**AquaTec, Inc.**

1236 Shappert Drive      Reedford, Illinois 61115      (615) 864-1500